



## Chip Antenna Specifications

Unit Name	Chip Antenna
Part Name	KSA-B0915AY
Date	January 24, 2003

Written by	Checked by	Approved by



Systron Inc.  
1274 - 3<sup>rd</sup> Avenue South  
Lethbridge, Alberta  
T1J 0J9 Canada

Phone: (403) 327-1444  
Fax: (403) 327-1480  
e-mail: [sales@systroninc.com](mailto:sales@systroninc.com)

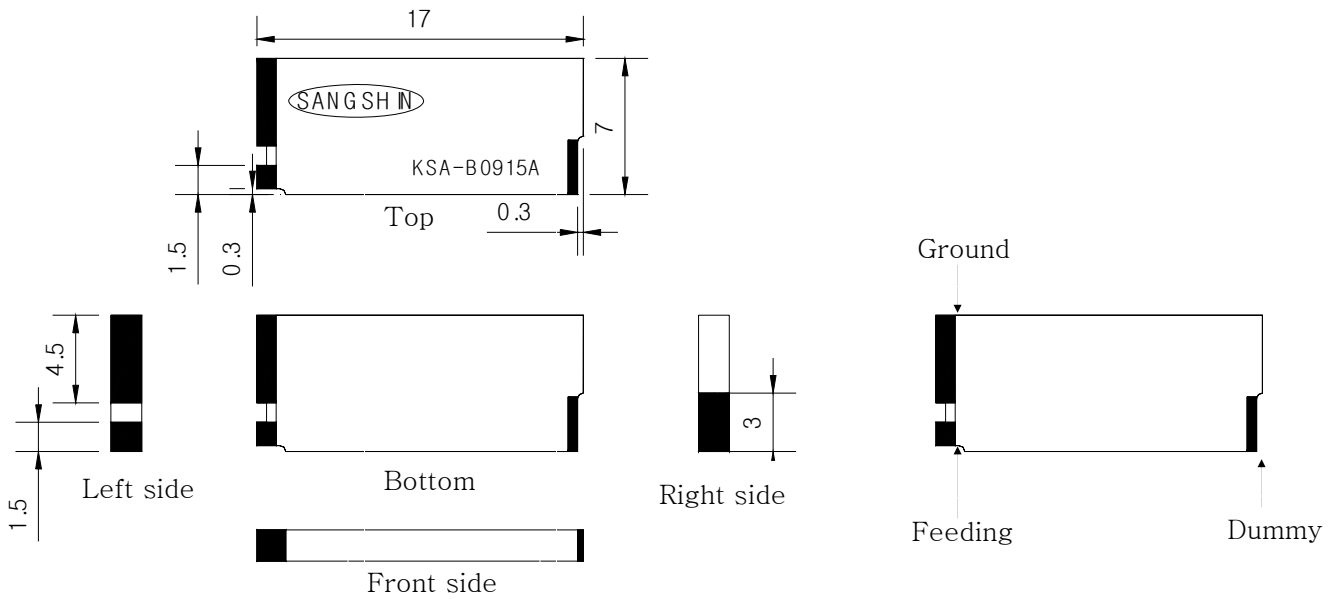
## Chip Antenna for 915MHz ISM Band Wireless RF Applications

### 1. SPECIFICATIONS

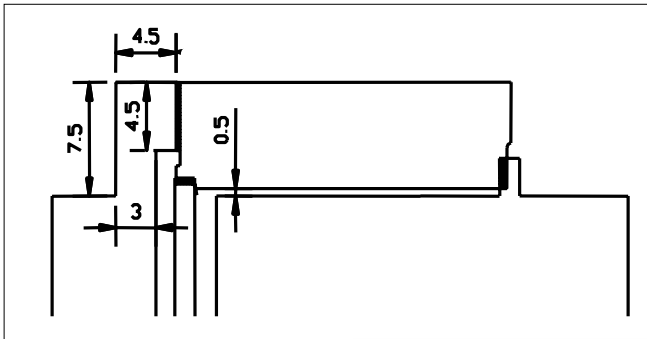
Part No.	KSA-B0915AY
Center frequency	915 MHz
Dimensions	17.0 x 7.0 x 1.8 mm
Bandwidth in $S_{11} \leq -10\text{dB}$	$f_c \pm 4\text{ MHz Min.}$
Impedance	$50\ \Omega$
Peak gain <sup>(1)</sup>	-5.6 dBi ( in H plane )
Average gain	-8.8 dBi ( in H plane )

(1) Peak gain might be influenced by environment.

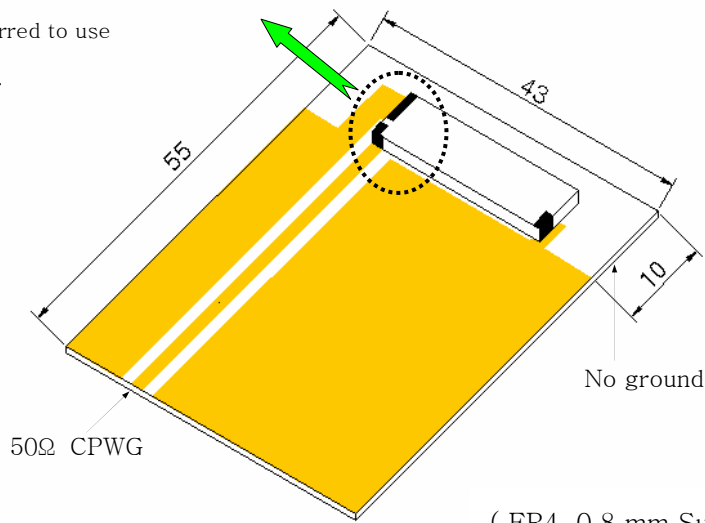
### 2. Dimensions & Soldering



### 3. STANDARD TEST BOARD & RECOMMENDED LAND PATTERN<sup>(2)</sup>

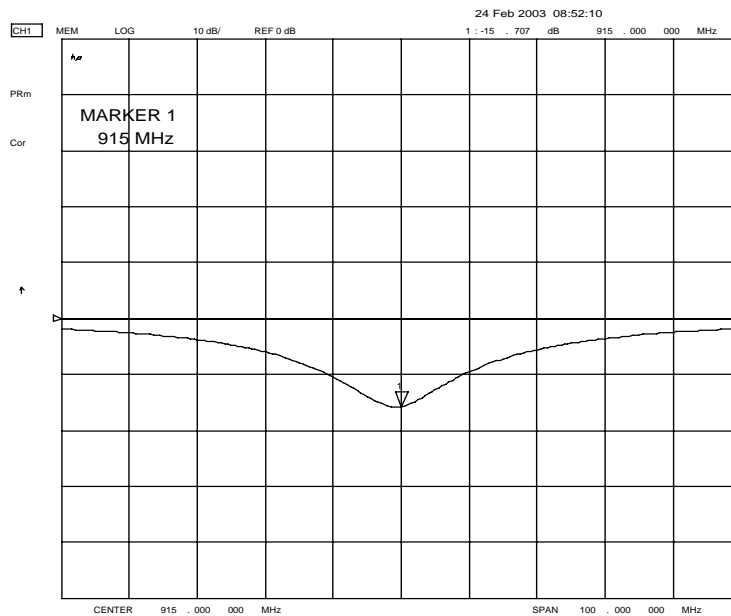


(2) The specifications are referred to use our suggested PCB pattern.

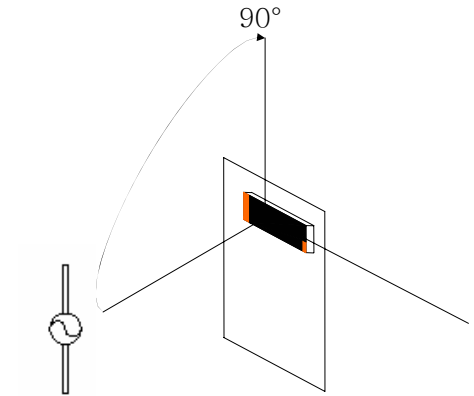
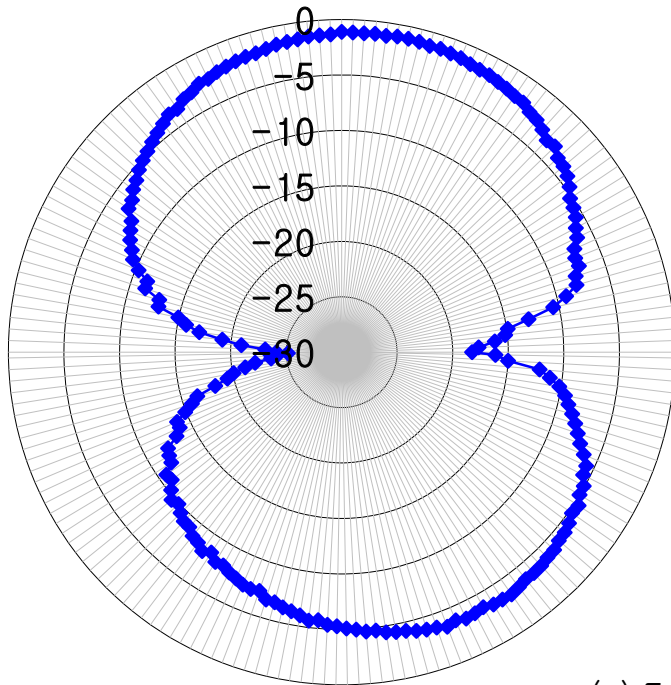


( FR4, 0.8 mm Substrate.)

### 4. MEASURED RETURN LOSS



## 5. RADIATION PATTERN



(a) E plane

